

ARCTIKBLUE®



3 YEAR
WARRANTY

PERFORMANCE

MAX FLOW	MAX HEAD
50 L/ HOUR	20 METRES

Proven in service the ARCTIKBLUE® incorporates the MEGABLUE® pump in a tough steel tray. Eliminating stuck float switches, the use of the BLUEDIAMOND® thermistor technology quickly and efficiently removes all the condensate from the dairy pan, reducing the conditions that allow organic growth to build up and block drains.

WATER TANK CAP.	PUMP ON/ OFF	ALARM ON VOL.
4.1 LITRES	90 ML	3600 ML



**DURABLE
DESIGN**

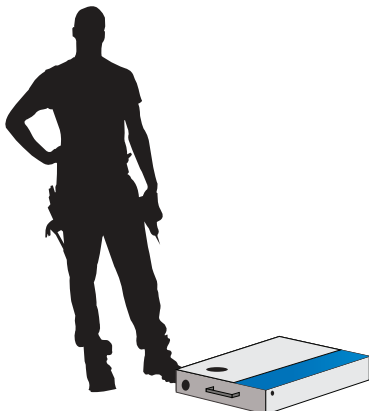
Thanks to a strong steel casing the ARCTIKBLUE® can withstand far rougher treatment than many other cabinet pumps on the market.



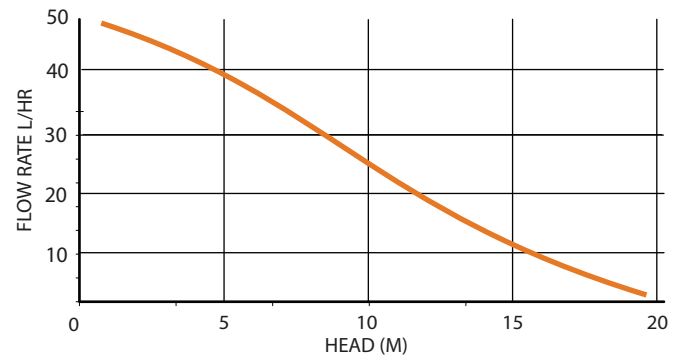
**CAN PUMP
SLUDGE**

The ARCTIKBLUE® has the unique capability of being able to pump sludge that commonly builds up in refrigeration units.

APPLICATION



PERFORMANCE

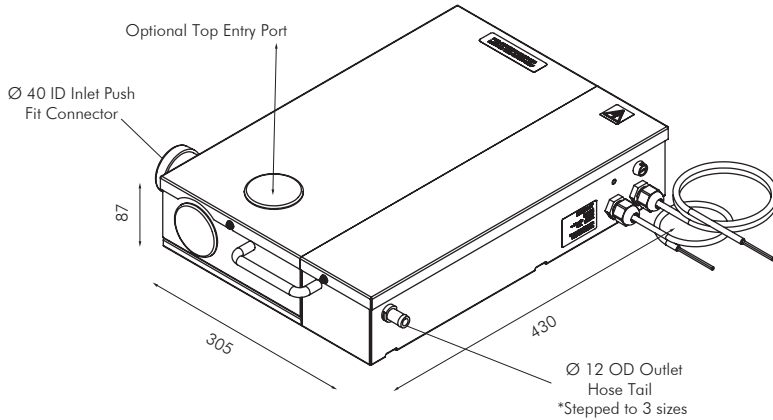


- ✓ LOW PROFILE
- ✓ EASY TO INSTALL
- ✓ SELF PRIMING
- ✓ CAN REMOVE SLUDGE AND SLURRY
- ✓ FAULT FREE SENSING
- ✓ EASY AND SIMPLE TO FIT



3
YEAR
WARRANTY

DIMENSIONS (MM)



ALARM SIGNAL	MAX ALARM RATING
0 volt relay	5A 250v AC

INPUT VOLTAGE
230v AC, 50 Hz

INLET FITTING	OUTLET FITTING
Ø 40MM ID PUSH FIT CONNECTOR	Ø 12MM OD HOSE TAIL STEPPED 3 SIZES
	Ø 9.5 MM (5/8")
	Ø 12.7 MM (1/2")
	Ø 15.5 MM (3/8")

THERMISTOR SENSOR (ENERGY EFFICIENT)



The presence of condensate trips the hi-low solid state level sensors to switch the pump on/off. This means that the pump is run only when condensate is produced and the alarm shuts off the unit in the case of a fault, restarting when clear.

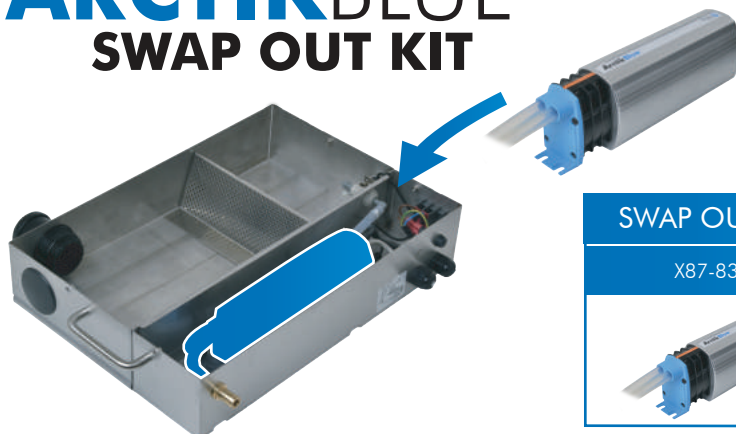
The slim filter probe, which houses the water sensors and high level alarm has no moving parts to become clogged or stuck making it an ideal alternative to existing float switches.



FILTRATION

Protecting the sensors is our swap out guard, the filter element can be changed over as a complete assembly during preventative maintenance service schedules. The main tray is also protected against objects larger than Ø2.5mm allowing the pump to remove condensate, sludge and debris.

ARCTIKBLUE® SWAP OUT KIT



SWAP OUT KIT

X87-836



Designed for use in multideck and dairy cabinet condensate removal, the 'ArctikBlue Swap Out Kit' incorporates the ultra-reliable Rotary Diaphragm technology.

Removing up to 50 litres of water per hour at a maximum working head of 20 metres, the ARCTIKBLUE® is able to run dry or self-prime, meaning it can be sited above any pipe work and away from hazardous areas.